

Paket Atıksu Aritma

AQUALINE ATIKSU ARITMA SİSTEMLERİ

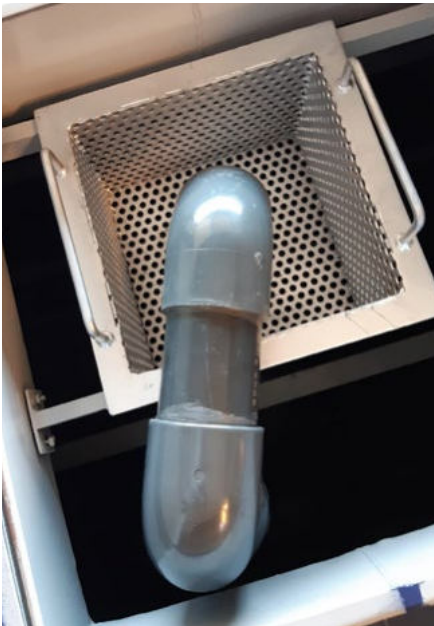


STANDART ÖZELLİKLER

- Evsel nitelikli atıksuların arıtılması amacı ile geliştirilmiştir.
- “Ardışık kesikli reaktör” prensibi ile çalışmakta olup Izgara, havalandırma, dezenfeksiyon içerir.
- Havalandırma ve çökeltim aynı reaktör içinde gerçekleştirilir.
- Ünite bünyesinde reaktör, blower, klor dozaj pompası, dalgıç atıksu terfi pompası, dalgıç tip tahliye pompası, disk tip hava difüzörleri standart ekipmanlardır.
- Gövdesi ST-37 Epoksi Boyalı çelik sac’tan imal edilmiştir.
- Akıllı Röle (Compact PLC) kumandasında çalışır.

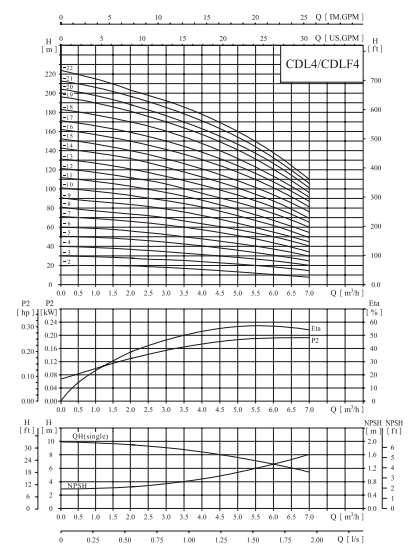
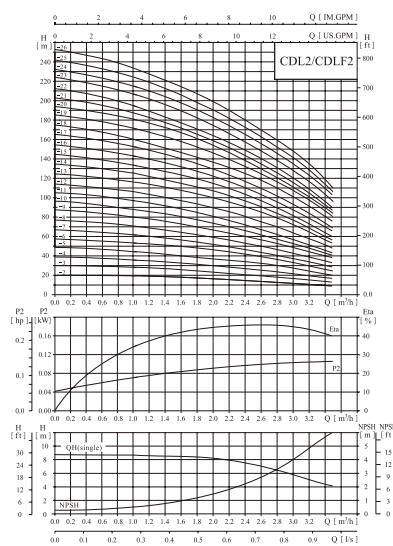
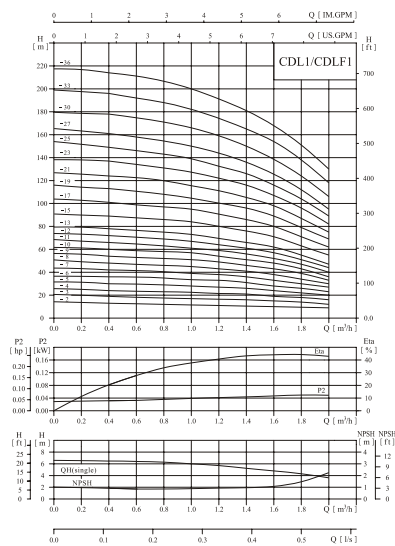
MODEL	EŞDEĞER KİŞİ	DEBİ (m ³ /gün)	EN (mm)	BOY (mm)	YÜKSEKLİK (mm)	FİYAT
AQUALINE SBR 25	25	5	1750	1750	2450	8.450 \$
AQUALINE SBR 50	50	10	1750	2500	2450	9.770 \$
AQUALINE SBR 100	100	20	2150	3500	2450	12.990 \$
AQUALINE SBR 150	150	30	2150	4000	2450	14.100 \$
AQUALINE SBR 200	200	40	2150	5250	2450	16.800 \$
AQUALINE SBR 300	300	60	2150	7000	2450	21.150 \$
AQUALINE SBR 400	400	80	2150	7750	2700	23.890 \$
AQUALINE SBR 500	500	100	2150	8500	2700	26.250 \$
AQUALINE SBR 600	600	120	2150	9250	2700	27.900 \$
AQUALINE SBR 700	700	140	2150	9250	3000	29.610 \$
AQUALINE SBR 800	800	160	2150	10500	3000	39.600 \$
AQUALINE SBR 1000	1000	200	2150	11250	3000	46.210 \$

Cihazların debi kapasiteleri 200 litre/kiş/gün su kullanım hesabına göre yapılmıştır.

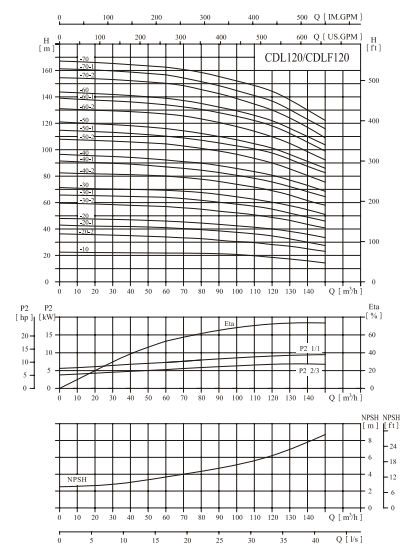
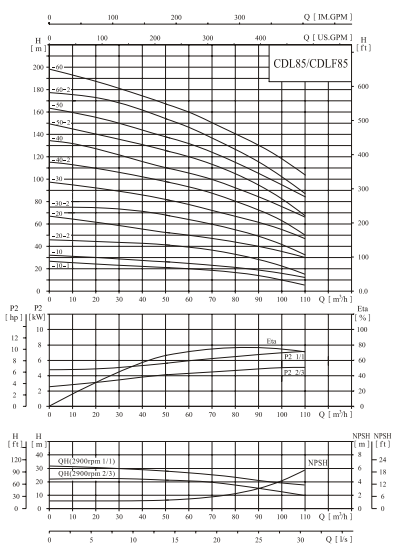
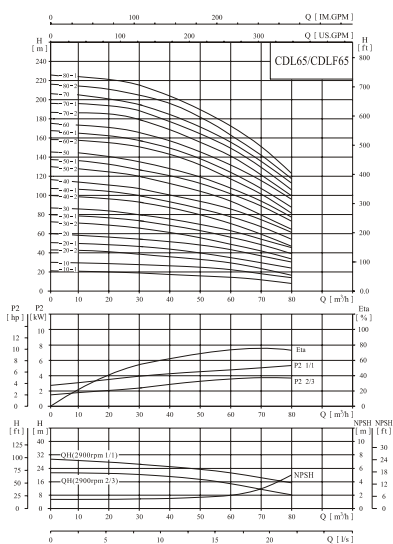
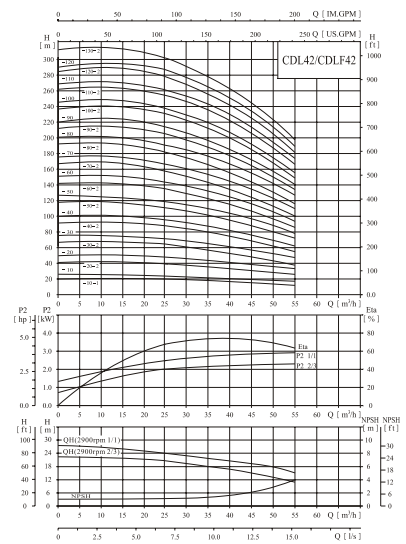
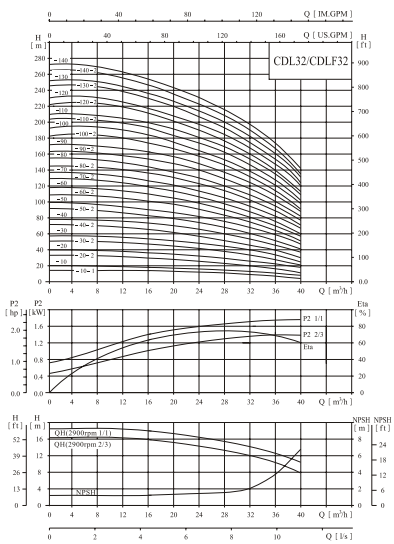
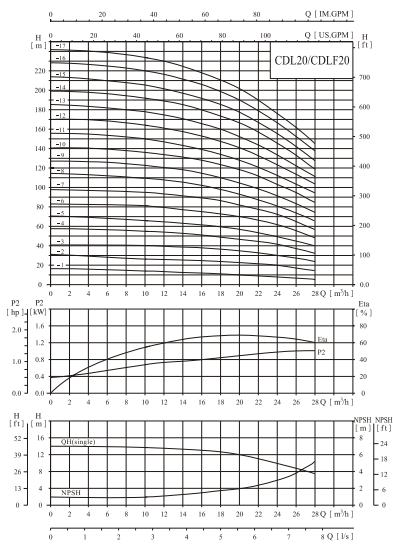
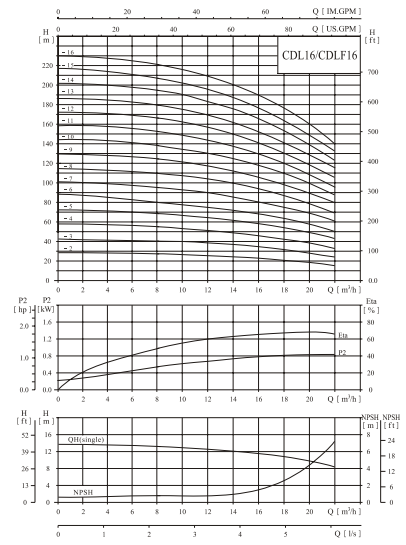
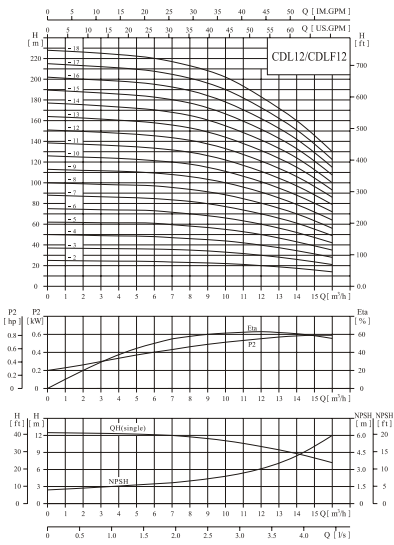
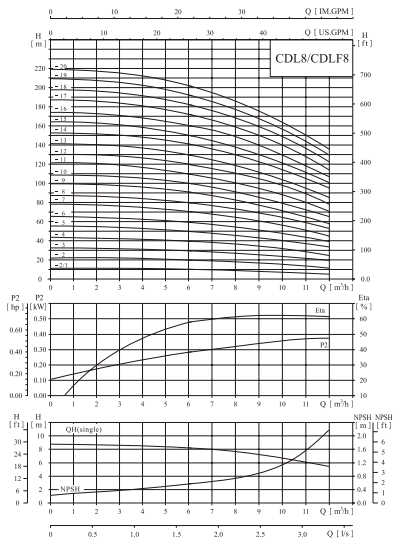


CNP MARKA POMPALAR

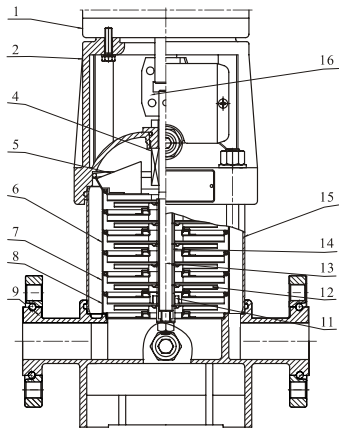
MODEL	GÜÇ	BAĞLANTI	FİYAT
CDLF 1-17	1,1 kW	DN25	1.283 \$
DLF 1-25	1,5 kW	DN25	1.630 \$
CDLF 2-14	1,5 kW	DN25	1.260 \$
CDLF 4-12	2,2 kW	DN32	1.256 \$
CDLF 4-14	3 kW	DN32	1.318 \$
CDLF 8-12	4 kW	DN40	2.652 \$
CDLF 12-12	7,5 kW	DN50	3.452 \$
CDLF 15-10	11 kW	DN50	3.806 \$
CDLF20-11	15 kW	DN50	4.856 \$
CDLF32-9	18,5 kW	DN65	6.003 \$
CDLF42-6	22 kW	DN80	9.992 \$
CDLF65-6-2	30 kW	DN100	10.440 \$
CDLF85-5	37 kW	DN100	11.392 \$
CDLF 85 - 6	45 kW	DN100	14.777 \$
CDLF 120 - 6 - 1	55 kW	DN125	31.395 \$



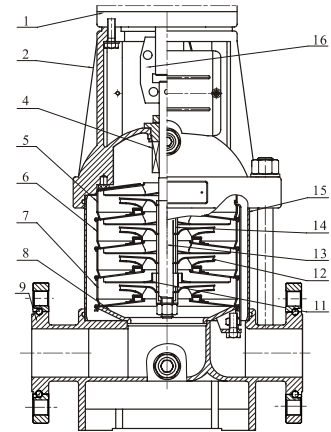
CNP MARKA POMPALAR



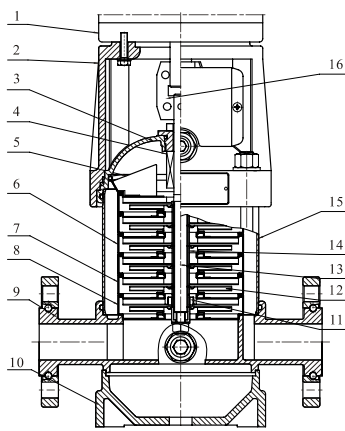
CNP MARKA POMPALAR



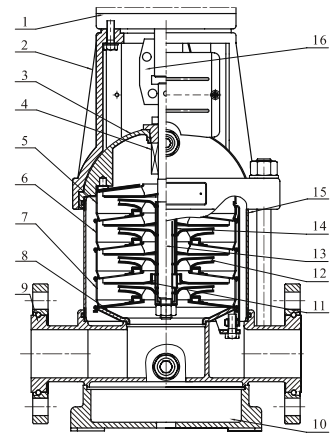
CDL



CDL



CDLF



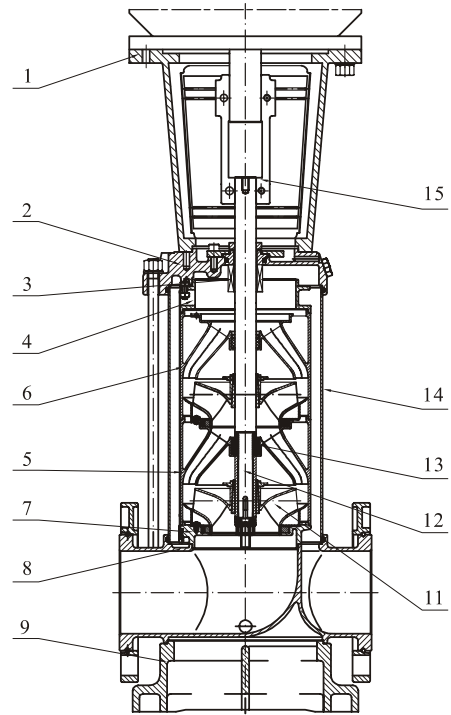
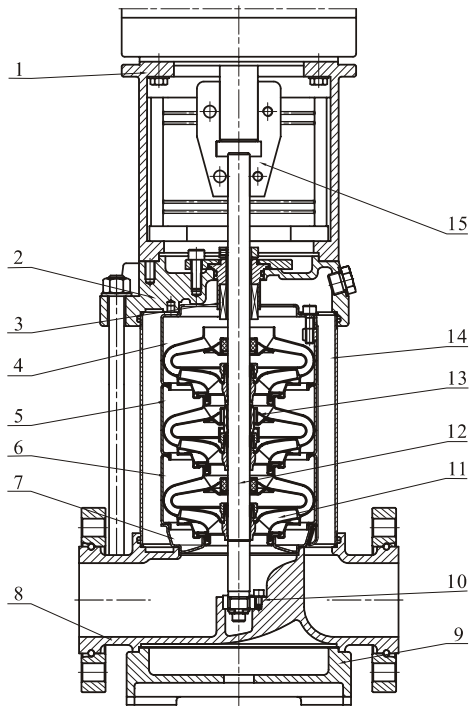
CDLF

MATERIAL CDL / CDLF1,2,3,4

No.	Name	Material	AISI/ASTM
1	Motor		
2	Pump Head	Cast Iron	ASTM25B
4	Mechanical Seal		
5	Top Diffuser	Stainless Steel	AISI304
6	Diffuser	Stainless Steel	AISI304
7	Support Diffuser	Stainless Steel	AISI304
8	Inducer	Stainless Steel	AISI304
11	Bearing	Tungsten Carbide	
12	Impeller	Stainless Steel	AISI304
13	Shaft	Stainless Steel	AISI304 - AISI316L
14	Impeller Sleeve	Stainless Steel	AISI304
15	Cylinder	Stainless Steel	AISI304
16	Coupling	Carbon Steel	
CDLF			
3	Seal Base	Stainless Steel	AISI304
9	Inlet and Outlet Chamber	Stainless Steel	AISI304
10	Base Plate	Cast Iron	ASTM25B
CDL			
9	Inlet and Outlet Chamber	Cast Iron	ASTM25B

MATERIAL CDL / CDLF8,12,16,20

No.	Name	Material	AISI/ASTM
1	Motor		
2	Pump Head	Cast Iron	ASTM25B
4	Mechanical Seal		
5	Top Diffuser	Stainless Steel	AISI304
6	Diffuser	Stainless Steel	AISI304
7	Support Diffuser	Stainless Steel	AISI304
8	Inducer	Stainless Steel	AISI304
11	Bearing	Tungsten Carbide	
12	Impeller	Stainless Steel	AISI304
13	Shaft	Stainless Steel	AISI304 - AISI316L
14	Impeller Sleeve	Stainless Steel	AISI304
15	Cylinder	Stainless Steel	AISI304
16	Coupling	Carbon Steel	
CDLF			
3	Seal Base	Stainless Steel	AISI304
9	Inlet and Outlet Chamber	Stainless Steel	AISI304
10	Base Plate	Cast Iron	ASTM25B
CDL			
9	Inlet and Outlet Chamber	Cast Iron	ASTM25B



MATERIAL CDL / CDLF32,42,65,85

No.	Name	Material	AISI/ASTM
1	Bracket	Cast Iron	ASTM25B
3	Mechanical Seal		
4	Top Diffuser	Stainless Steel	AISI304
5	Support Diffuser	Stainless Steel	AISI304
6	Diffuser	Stainless Steel	AISI304
7	Inducer	Stainless Steel	AISI304
9	Base Plate	Cast Iron	ASTM25B
10	Bottom Bearing	Tungsten Carbide	
11	Impeller	Stainless Steel	AISI304
12	Shaft	Stainless Steel	AISI316L- AISI304- AISI431
13	Intermediate Bearing	Tungsten Carbide	
14	Cylinder	Stainless Steel	AISI304
15	Coupling	Carbon Steel	
	Rubber Parts	NBR	
CDL			
2	Pump Head	Cast Iron	ASTM25B
8	Inlet and Outlet Chamber	Cast Iron	ASTM25B
CDLF			
2	Pump Head	Stainless Steel	AISI304
8	Inlet and Outlet Chamber	Stainless Steel	AISI304

MATERIAL CDL / CDLF120,150,200

No.	Name	Material	AISI/ASTM
1	Bracket	Cast Iron	ASTM25B
3	Mechanical Seal		
4	Discharge	Stainless Steel	AISI304
5	Support Diffuser	Stainless Steel	AISI304
6	Diffuser	Stainless Steel	AISI304
7	Inducer	Stainless Steel	AISI304
9	Base Plate	Cast Iron	ASTM80-55-06
10	Impeller	Stainless Steel	AISI304
11	Shaft	Stainless Steel	AISI304
12	Bearing	Tungsten Carbide	
13	Cylinder	Stainless Steel	AISI304
14	Coupling	Carbon Steel	
15	Rubber Parts	NBR	
CDL			
2	Pump Head	Cast Iron	ASTM80-55-06
8	Inlet and Outlet Chamber	Cast Iron	ASTM80-55-06
CDLF			
2	Pump Head	Stainless Steel	AISI304
8	Inlet and Outlet Chamber	Stainless Steel	AISI304